

P Series touch panel

(Multi-zone series)



Technical Specs:

P5: Dim Panel

- Input Voltage: AC85V-265V
- Output Signal: DMX512 4 Channel
- Dimming Range: 5%-100%
- Working Temperature: -20°C-55°C
- Dimensions: L86×W86×H36(mm)
- Weight(N.W): 230g

P6: CCT Panel

- Input Voltage: AC85V-265V
- Output Signal: DMX512 8 Channel
- Dimming Range: 5%-100%
- Working Temperature: -20°C-55°C
- Dimensions: L86×W86×H36(mm)
- Weight(N.W): 230g

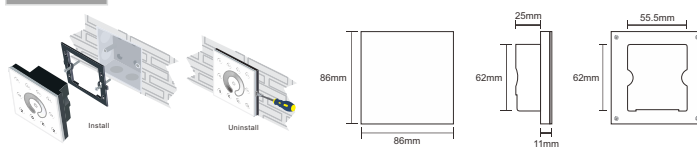
P7: RGB Panel

- Input Voltage: AC85V-265V
- Output Signal: DMX512 12 Channel
- Dimming Range: 5%-100%
- Working Temperature: -20°C-55°C
- Dimensions: L86×W86×H36(mm)
- Weight(N.W): 230g

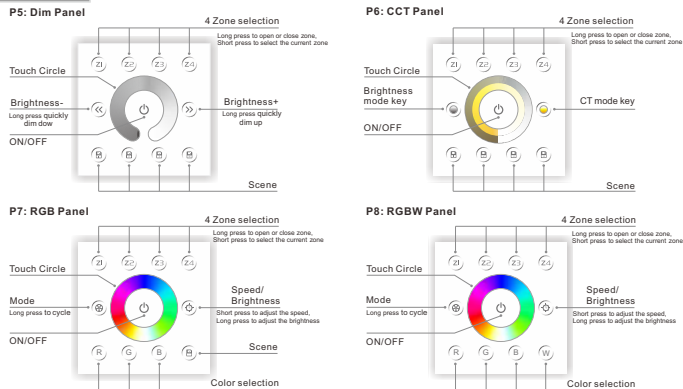
P8: RGB Panel

- Input Voltage: AC85V-265V
- Output Signal: DMX512 16 Channel
- Dimming Range: 5%-100%
- Working Temperature: -20°C-55°C
- Dimensions: L86×W86×H36(mm)
- Weight(N.W): 230g

Installation:



Key Functions:



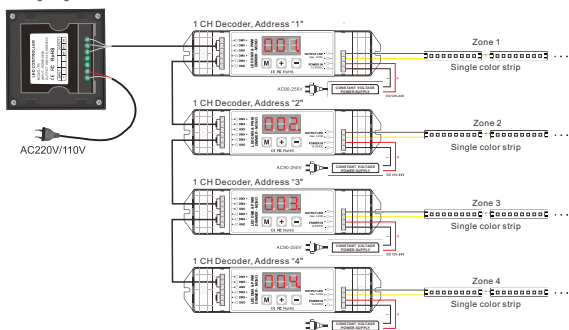
- ※ Long press **⏻** to turn on/off the buzzer.
- ※ Short press **⏻** to call scene, long press **⏻** to save scene.
- ※ Hold the **⏻**, **⏻** keys for 2 seconds, the controller will restore default and restart automatically.

※ RGB & RGBW MODE:

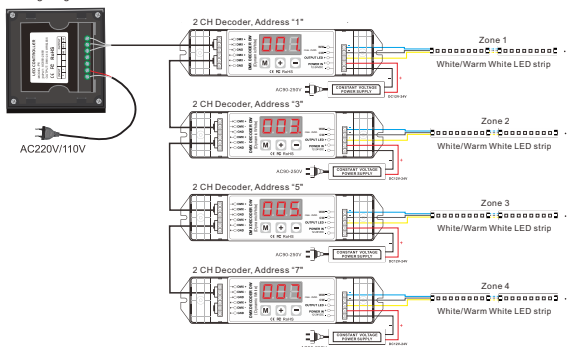
NO.	MODE	NO.	MODE
1	RGB CHANGE	2	COLOR CHANGE
3	WHITE FLASH	4	RGB FADE
5	COLOR FADE	6	RG FADE
7	RB FADE	8	GB FADE
9	WHITE FADE	10	ALL MODE CYCLE

Wiring Diagram:

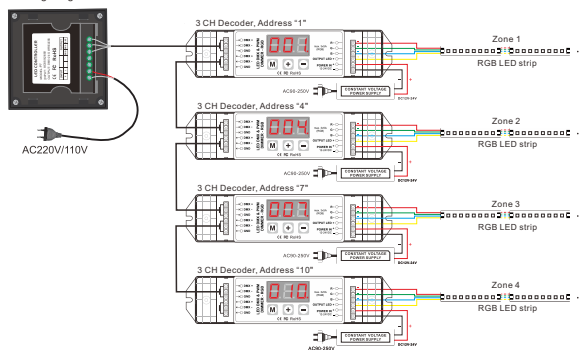
P5 Wiring Diagram:



P6 Wiring Diagram:



P7 Wiring Diagram:



P8 Wiring Diagram:

