

DIN Rail High Frequency Power Repeater



(Please read through this manual carefully before use)

1. Brief Introduction

DIN Rail LED Power Repeater is suitable for all BINCOLOR power-output style controllers' power expansion, it accepts PWM SIGNAL, unlimited quantity of power repeater to be connected theoretically. Also, the power repeater of constant voltage model and constant current model could be connected freely. Suitable for synchronous control of different LED lamps.

2. Specifications

3CH Power Repeater

- Input Voltage: DC5V-24V
- Output Current: 8A × 3CH Max 24A
- Output Power: 120W/288W/576W(5V/12V/24V)
- Output Signal: Constant Voltage PWM
- Dimension: L111×W46×H66(mm)
- Weight(G.W): 130g



4CH Power Repeater

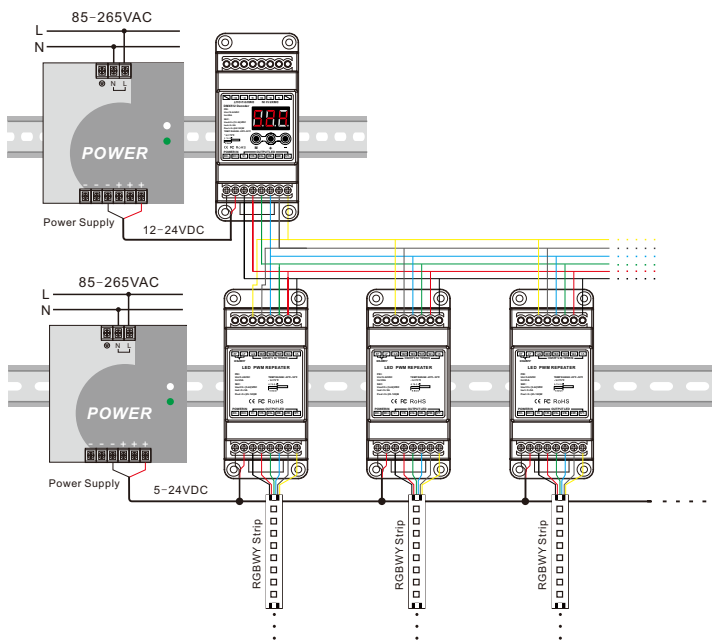
- Input Voltage: DC5V-24V
- Output Current: 6A × 4CH Max 24A
- Output Power: 120W/288W/576W(5V/12V/24V)
- Output Signal: Constant Voltage PWM
- Dimension: L111×W46×H66(mm)
- Weight(G.W): 130g



- 1 -

6. Wiring Indication

1) Connection diagram between the repeater and the multiplex controller:



- 3 -

7. After Sales

From the day you purchase our products within 3 years, if being used properly in accordance with the instruction, and quality problems occur, we provide free repair or replacement services except the following cases:

1. Any defects caused by wrong operations.
2. Any damages caused by inappropriate power supply or abnormal voltage.
3. Any damages caused by unauthorized removal, maintenance, modifying circuit, incorrect connections and replacing chips.
4. Any damages due to transportation, breaking, flooded water after the purchase.
5. Any damages caused by earthquake, fire, flood, lightning strike etc force majeure of natural disasters.
6. Any damages caused by negligence, inappropriate storing at high temperature and humidity environment or near harmful chemicals.

8. Kindly Reminder

Power Source Selection:

Power source must be DC constant voltage type of power supply. Due to the efficient output in some power supplies are only 80% of total, so please select at least 20% higher output power supply than the consumption of LED lights.

- 5 -

5CH Power Repeater



- Input Voltage: DC5V-24V
- Output Current: 5A × 5CH Max 25A
- Output Power: 125W/300W/600W(5V/12V/24V)
- Output Signal: Constant Voltage PWM
- Dimension: L111×W46×H66(mm)
- Weight(G.W): 132g

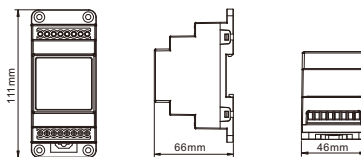
3. Basic Features

1. Common anode input and output.
2. Sustain high frequency common anode PWM input signal.
3. Work with LED controller, DMX512 decoder, LED dimmer for synchronous control, to fulfill abundant color changings.
4. Over current protection and short circuit protection.
5. Optical isolation function, controller damage will not affect the repeater.
6. Output channels can be output independently or synchronously.
7. The DIN rail style facilitates the installation of large-scale projects.

4. Safety warnings

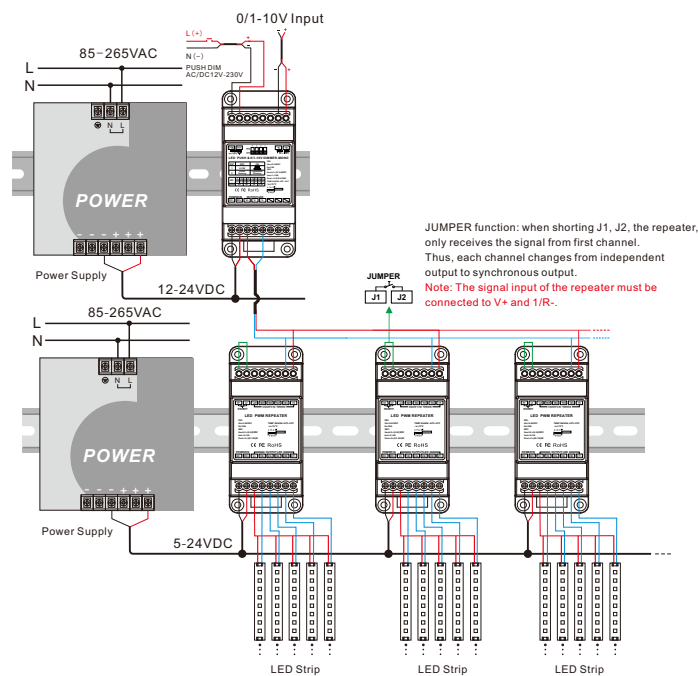
1. To ensure your safety and product properly usage, please read the user manual carefully.
2. To avoid installed the product in minefield, strong magnetic field and high voltage area.
3. To ensure the wiring is correct and firm avoiding short circuit damages to components and cause fire.
4. Please install the product in a well ventilated area to ensure appropriate temperature environment.
5. The product must be worked with DC constant voltage power supply.
Please check the consistence of input power with the product, if the output voltage of the power comply with that of the product.
6. Connect the wire with the power on is forbidden. Ensure proper wiring first then check to ensure no short-circuit, then power on!
7. Don't repair it by yourself whenever an error occur. Contact the supplier for any inquiry.

5. Dimensions



- 2 -

2) Diagram of the connection between the repeater and the dimmer (i.e. 0/-10V dimming driving diagram)



- 4 -

- 5 -