

DIN Rail DMX512 Signal Amplifier User Manual



(Please read through this manual carefully before use)

1. Brief Introduction

Welcome to use the DIN Rail DMX512 signal amplifier, which is developed for shaping and enlargement the attenuated of the DMX512 signal after the long-distance transmission. It has two output channels; there is optical isolation between the input and output, each interface has an independent electrical isolation, there is wrong wiring protection at DMX input and output port, to avoid the interference to the DMX512 control system, guarantee the DMX signal can transmit to all the lighting control equipment, and improving the overall reliability of digital lighting control system.

2. Specifications

Mode	812-DIN	812-DIN-RJ45
Input voltage	DC12-24V	DC12-24V
Input signal	DMX512/1990	DMX512/1990
Output signal	DMX512/1990	DMX512/1990
Input/output channel	One input channel, two output channels	
Input/output isolated voltage	3000VDC	3000VDC
DMX512 signal socket	Terminal block	RJ45
Product Dimension	L111×W46×H66(mm)	L111×W46×H66(mm)
Weight(G.W)	107g	107g

1

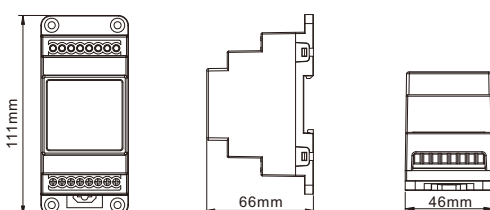
3. Basic Features

1. Working voltage from DC12V-DC24V.
2. Optical isolation between the input and output port.
3. Input and output standard DMX512 signal.
4. Amplify the DMX512/1990 signal and extend signal transmission distance.
5. One input channel, two independent electrical isolation signal output channels.
6. 3000VDC, isolation voltage 3000VDC.
7. Wrong wiring protection at DMX input and output port.
8. The DIN rail style facilitates the installation of large-scale projects.

4. Safety warnings

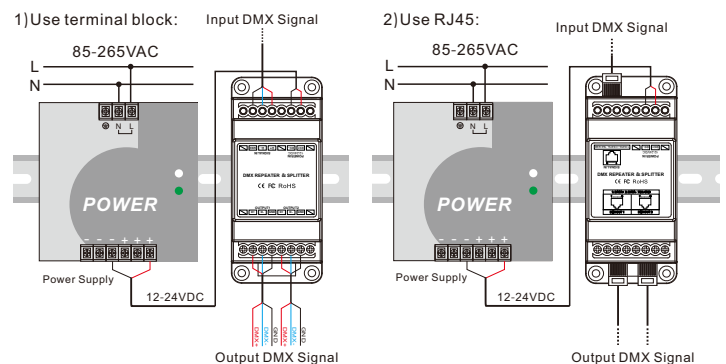
- Please don't install this controller in lightning, intense magnetic and high-voltage fields.
1. To reduce the risk of component damage and fire caused by short circuit, make sure correct connection.
 2. Always be sure to mount this unit in an area that will allow proper ventilation to ensure a fitting temperature.
 3. Check if the voltage and power adapter suit the controller. (please select DC12-24V power supply with constant voltage)
 4. Don't connect cables with power on; make sure a correct connection and no short circuit checked with instrument before power on.
 5. Please don't open controller cover and operate if problems occur.
- The manual is only suitable for this model; any update is subject to change without prior notice.

5. Dimensions



2

6. Conjunction Diagram



7. After-Sales

From the day you purchase our products within 3 years, if being used properly in accordance with the instruction, and quality problems occur, we provide free repair or replacement services except the following cases:

1. Any defects caused by wrong operations.
2. Any damages caused by inappropriate power supply or abnormal voltage.
3. Any damages caused by unauthorized removal, maintenance, modifying circuit, incorrect connections and replacing chips.
4. Any damages due to transportation, breaking, flooded water after the purchase.
5. Any damages caused by earthquake, fire, flood, lightning strike etc force majeure of natural disasters.
6. Any damages caused by negligence, inappropriate storing at high temperature and humidity environment or near harmful chemicals.
7. Product has been updated.

3