

8、Exception Handles

Malfunction	Causation	Solution
No Light	1. No power from the socket 2. Reverse connection of power +/- 3. Wrong or loose connection	1. Check the socket 2. Modify the connection 3. Check connection
Brightness of the LED is not even	1. Output wire too long, voltage drops 2. Wire diameter too slim, voltage drops 3. Power supplier overloads 4. Controller overload	1. Reduce cable or use loop connection. 2. Calculate the current and change to a wider wire 3. Change to another large power supplier 4. Add a power repeater

9、After-Sales

From the day you purchase our products within 3 years, if being used properly in accordance with the instruction, and quality problems occur, we provide free repair or replacement services except the following cases:

- 1.Any defects caused by wrong operations.
- 2.Any damages caused by inappropriate power supply or abnormal voltage.
- 3.Any damages caused by unauthorized removal, maintenance, modifying circuit, incorrect connections and replacing chips.
- 4.Any damages due to transportation, breaking, flooded water after the purchase.
- 5.Any damages caused by earthquake, fire, flood, lightning strike etc force majeure of natural disasters.
- 6.Any damages caused by negligence, inappropriate storing at high temperature and humidity environment or near harmful chemicals.
- 7.Product has been updated.

10、Kindly Reminder

1.Power Source Selection  
Power source must be DC constant voltage type of power supply. Due to the efficient output in some power supplies are only 80% of total, so please select at least 20% higher output power supply than the consumption of LED lights.

Constant Voltage LED Dimmer User Manual



(Please read through this manual carefully before use)

1、Brief Introduction

This is an intelligent dimmer specially designed for LED lighting, it adopted the most advanced PWM (pulse-width-modulation) digital brightness-adjusting technology that enables you adjust the brightness with the infinite. It is suitable for installation of commercial and household 86-style socket, you can install it visibly outside the wall, it can meet different brightness requirements at different time with the dimmer, also it can extend the LED service life and save energy, suitable to dim hi-power or low-power LED lamps.

2、Specifications

Model	Constant Voltage 10A
Input power	DC12V-DC24V
Output signal	Constant voltage PWM
Max load current	10A
Output power	120W/240W(12V/24V)
Dimming range	0-100%
Grey step	4096 levels
Switch size	L87×W87(mm)
Package size	L100×W95×H67(mm)
Gross weight	150g

3、Basic Features

- 1.Standard 86-style socket, easy to install.
- 2.Infinite knob style dimming, easy to operate.

- 3.Real 0~100% brightness adjust, 4096 scale levels. Comfort to human eye visual characteristic. Lamplight soft and stable, without flickers, welcome to compare.
- 4.Automatically adapt to 12-24V working voltage.
- 5.Can be equipped with power repeater to expand power.
6. Power loss memory function.

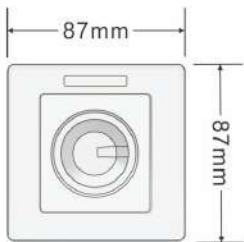
4、Safety warnings

Please don't install this controller in lightening, intense magnetic and high-voltage fields.

- 1.To reduce the risk of component damage and fire caused by short circuit, make sure correct connection
- 2.Always be sure to mount this unit in an area that will allow proper ventilation to ensure a fitting temperature.
- 3.Check if the voltage and power adapter suit the controller (please select DC12-24V power supply with constant voltage)
- 4.Don't connect cables with power on; make sure a correct connection and no short circuit checked with instrument before power on.
- 5.Please don't open controller cover and operate if problems occur.

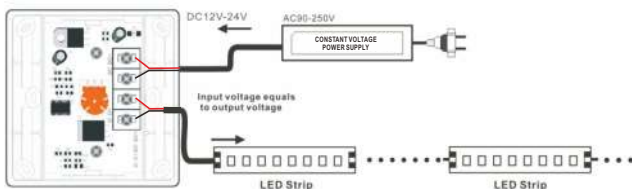
The manual is only suitable for this model; any update is subject to change without prior notice.

5. Dimensions

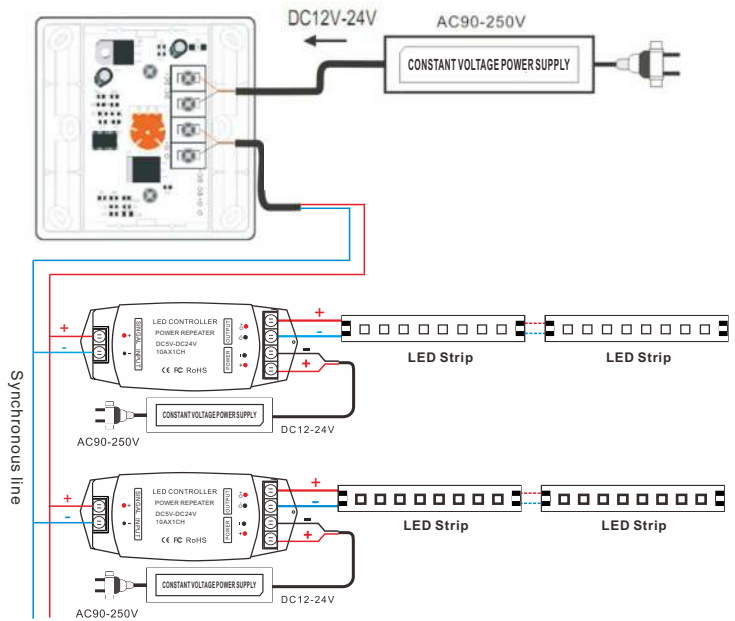


6. Conjunction Diagram

1)Connecting to LED strip:



2)Connecting to power amplifier (the dimmer and the amplifier can share the same power supply):



7、Operating instructions

1.About the button:



The knob of the dimmer