

## 7. Operating instructions

1)The function keys on the remote are: ON/OFF、DELAY OFF、WHITE、WARM、BRT+、BRT-、SCENE1-2



**The remote control ID learning guide:** Press ON/OFF button till the light flashes, then press DELAY OFF button, the light flashes again, the ID is set.

Sign	Button	Description
	<b>ON/OFF</b>	Turn on/off the controller. Any button can start the controller at off status
	<b>DELAY OFF</b>	Press this key, it will wait 30 seconds before turning off the light automatically
	<b>WHITE</b>	Press this button to dim to white(cold) color temperature.
	<b>WARM</b>	Press this button to dim to warm color temperature.
	<b>BRT+</b>	Press this button to increase the brightness of the lamp, pressing still to increase brightness continually.
	<b>BRT-</b>	Press this button to decrease the brightness of the lamp, pressing still to decrease brightness continually.
	<b>SCENE1~2</b>	2 DIY scene buttons. Press 2 second to memorize present settings. Press once to replay.

## 8. After-Sales

From the day you purchase our products within 3 years, if being used properly in accordance with the instruction, and quality problems occur, we provide free repair or replacement services except the following cases:

- 1.Any defects caused by wrong operations.
- 2.Any damages caused by inappropriate power supply or abnormal voltage.
- 3.Any damages caused by unauthorized removal, maintenance, modifying circuit, incorrect connections and replacing chips.
- 4.Any damages due to transportation, breaking, flooded water after the purchase.
- 5.Any damages caused by earthquake, fire, flood, lightning strike etc force majeure of natural disasters.
- 6.Any damages caused by negligence, inappropriate storing at high temperature and humidity environment or near harmful chemicals.
- 7.Product has been updated.

4

## LED Color-Temperature Controller User manual



(Please read through this manual carefully before use)

### 1. Brief Introduction

This series LED color temperature controller(C&T controller) is a universal high-performance C&T controller, which adopted the most advanced PWM (Pulse-Width Modulation) digital brightness-adjusting. Changing the color temperature by adjusting two different light colors, it suits for all 2 channel LED lights.

### 2. Specifications

Model	Constant current 350mA	Constant current 700mA
Input voltage	DC12V-48V	DC12V-48V
Max load current	350MA/CH×2	700MA/CH×2
Driving LEDs/CH	12V: 1-3pcs 1W LED 24V: 1-6pcs 1W LED 36V: 1-9pcs 1W LED 48V: 1-12pcs 1W LED	12V: 1-3pcs 3W LED 24V: 1-6pcs 3W LED 36V: 1-9pcs 3W LED 48V: 1-12pcs 3W LED
Output signal	Constant current PWM	Constant current PWM
Dimming range	0-100%	0-100%
Scale levels	4096 Levels/CHx2	4096 Levels/CHx2
Switch Dimension	L125×W45×H36(mm)	L125×W45×H36(mm)
Weight (G.W)	140g	140g

1

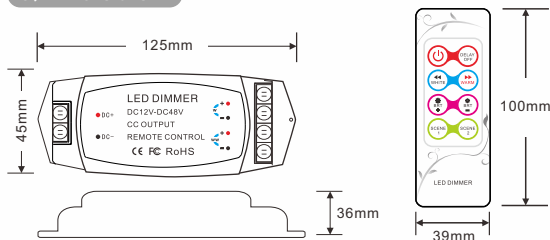
## 3. Basic Features

1. Automatically adapt to LED light which works from DC12V-48V.
2. Real 0~100% brightness adjust, 4096 scale levels. Lamplight soft and stable, without flicker, precisely control color temperatures.
3. 2 channel outputs with Max 350mA or 700mA constant current. Working with power repeater to expand power output unlimitedly.
4. 2 DIY modes. Easy to replay your favorite settings.
5. Small size, flexible to install.
6. Power loss memory function.

## 4. Safety warnings

- Please don't install this controller in lightning, intense magnetic and high-voltage fields.
- 1.To reduce the risk of component damage and fire caused by short circuit, make sure correct connection
  - 2.Always be sure to mount this unit in an area that will allow proper ventilation to ensure a fitting temperature.
  - 3.Check if the voltage and power adapter suit the controller (please select DC12-48V power supply with constant voltage)
  - 4.Don't connect cables with power on; make sure a correct connection and no short circuit checked with instrument before power on.
  - 5.Please don't open controller cover and operate if problems occur.
- The manual is only suitable for this model; any update is subject to change without prior notice.

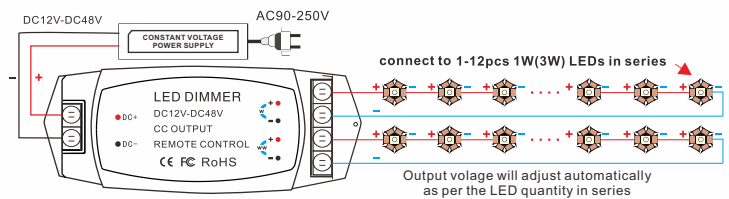
## 5. Dimensions



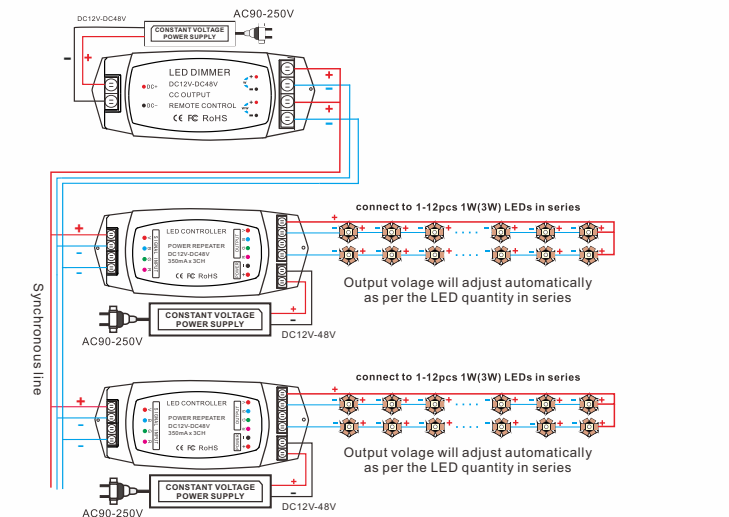
2

## 6. Conjunction Diagram

1)Connects 1W (3W) hi-power LED directly



2. It can connect with series to extend power.



Note: Only connects with two different color temperature lights, can adjust the color temperature. It can connect with power repeater series to extend power.

3