

# RGB/RGBW Timer Controller User's Manual



( Please read through this manual carefully before use )

## 1. Brief Introduction

Welcome to use our RGB/RGBW timer controller, it is a constant voltage overall color change controller, can be configured as RGB/RGBW controller. With LCD display, easy to operate. Built-in real time clock system and a strong DIY & combination function can meet your various control requirements.

## 2. Specifications

Model	RGB/RGBW Timer Controller
Working Voltage	DC12-36V
Output Current	6A x 4CH
Input Signal	DMX512
DMX interface	XLR-3, RJ45, Terminal block
Working Temp	-20°C-55°C
Dimensions	145mmx88mmx30mm
Weight(N.W)	376g

## 3. Feature function

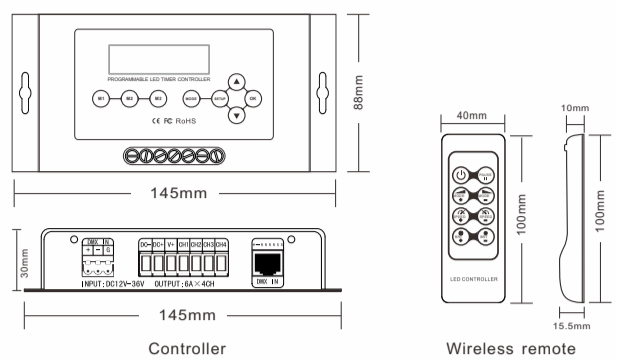
- With LCD screen, easy to operate.
- 4096 grey scales, lamplight soft and stable, without flickers.
- 40 built-in Modes, 4 DIY programming Modes, 4 combined modes and 1 decoder mode, it can combine hundreds of control patterns.
- Multilevel of speed and brightness adjustable.
- Built-in real time clock system, your program can be set to play at anytime.
- It can be configured as RGB controller or RGBW controller, convenient for stocking.

1

## 4. Safety warnings

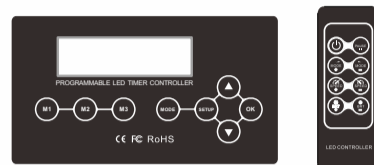
- In order to use it properly and safety, please read user's manual carefully before installation.
- Please don't install this controller in lightning, intense magnetic and high-voltage fields.
- To reduce the risk of component damage and fire caused by short circuit, make sure correct connection
- Always be sure to mount this unit in an area that will allow proper ventilation to ensure a fitting temperature.
- Don't connect cables with power on; make sure a correct connection and no short circuit checked with instrument before power on.
- Please don't open controller cover and operate if problems occur.  
The manual is only suitable for this model; any update is subject to change without prior notice.

## 5. Dimensions



## 6. Operating Instructions

1. Controller and Wireless remote control button instructions:



2

Key	Short press function	Long press function ( 2s )
M1,M2,M3	Callout saved mode	Save the current mode
MODE	Switch mode, back to previous	
SETUP	Enter and switch setup	Enter system setup
UP	Switch mode, increase current set value	Increase current set value rapidly
DOWN	Switch mode, decrease current set value	Decrease current set value rapidly
OK	Confirm and enter into next value	

## 2. Changing Patterns

NO.	LCE Display	Working Models	Operation
1	1.BLACK	Black	Speed 1 is static color, speed and brightness are adjustable.
2	2.RED SPEED:8 BRT:8	Red ( flicker )	
3	3.GREEN SPEED:8 BRT:8	Green ( flicker )	
4	4.BLUE SPEED:8 BRT:8	Blue ( flicker )	
5	5.YELLOW SPEED:8 BRT:8	Yellow ( flicker )	
6	6.PURPLE SPEED:8 BRT:8	Purple ( flicker )	
7	7.CYAN SPEED:8 BRT:8	Cyan ( flicker )	
8	8.WHITE SPEED:8 BRT:8	White ( flicker )	
9	9.RG CHANGE SPEED:8 BRT:8	RG change	Speed and brightness are adjustable.
10	10.RB CHANGE SPEED:8 BRT:8	RB change	
11	11.GB CHANGE SPEED:8 BRT:8	GB change	
12	12.RGB CHANGE SPEED:8 BRT:8	RGB change	
13	13.COLOR CHANGE SPEED:8 BRT:8	Color change	
14	14.WHITE STROBE SPEED:8 BRT:8	White strobe	
15	15.RGB STROBE SPEED:8 BRT:8	RGB strobe	
16	16.COLOR STROBE SPEED:8 BRT:8	Color strobe	

3

17	17.RED FADE SPEED:8 BRT:8	Red fade	Speed and brightness are adjustable.
18	18.GREEN FADE SPEED:8 BRT:8	Green fade	
19	19.BLUE FADE SPEED:8 BRT:8	Blue fade	
20	20.YELLOW FADE SPEED:8 BRT:8	Yellow fade	
21	21.PURPLE FADE SPEED:8 BRT:8	Purple fade	
22	22.CYAN FADE SPEED:8 BRT:8	Cyan fade	
23	23.WHITE FADE SPEED:8 BRT:8	White fade	
24	24.RGB FADE SPEED:8 BRT:8	RGB fade	
25	25.COLOR FADE SPEED:8 BRT:8	Color fade	
26	26.RG SMOOTH SPEED:8 BRT:8	RG smooth	
27	27.RB SMOOTH SPEED:8 BRT:8	RB smooth	
28	28.GB SMOOTH SPEED:8 BRT:8	GB smooth	
29	29.RY SMOOTH SPEED:8 BRT:8	RY smooth	
30	30.RC SMOOTH SPEED:8 BRT:8	RC smooth	
31	31.BP SMOOTH SPEED:8 BRT:8	BP smooth	
32	32.RP SMOOTH SPEED:8 BRT:8	RP smooth	
33	33.GY SMOOTH SPEED:8 BRT:8	GY smooth	
34	34.BC SMOOTH SPEED:8 BRT:8	BC smooth	
35	35.RW SMOOTH SPEED:8 BRT:8	RW smooth	
36	36.GW SMOOTH SPEED:8 BRT:8	GW smooth	
37	37.BW SMOOTH SPEED:8 BRT:8	BW smooth	
38	38.RGB SMOOTH SPEED:4 BRT:8	RGB smooth	

4

39	39.YPC SMOOTH SPEED:8 BRT:8	YPC smooth	Customizing the color, duration, change type of up to eight steps, the controller can automatically play the changing mode you need, Speed and brightness are adjustable.	
40	40.COLOR SMOOTH SPEED:8 BRT:8	Color smooth		
41	41.DIY MODE 1 8 STEPS FADE	DIY1 mode		
42	42.DIY MODE 2 8 STEPS FADE	DIY2 mode		
43	43.DIY MODE 3 8 STEPS FADE	DIY3 mode		
44	44.DIY MODE 4 8 STEPS FADE	DIY4 mode		
45	45.GROUP1 MODE 2 MODES ON	Group1 mode		Each group mode can be combined by up to eight modes which are selected from mode 1-44 . Speed, brightness and running time of sub-mode can be set.
46	46.GROUP2 MODE 1 MODES ON	Group2 mode		
47	47.GROUP3 MODE 1 MODES ON	Group3 mode		
48	48.GROUP4 MODE 1 MODES ON	Group4 mode		
49	49.TIMER MODE ALL TIMER OFF	Timer mode	Up to eight Timer setups, per timer setup can be set as PER DAY, PER DATE or SPE DATE, start time, end time, and run modes from mode 1-48 . when there are multiple timer, the earlier timer will be operated firstly.	
50	50.DECODER MODE DMX ADDRESS:063	Decoder mode		

## 3. Parameter setting

Model	Parameter	Instruction
2-40	MODE2 SETUP RUN SPEED:8	Running speed, Value 1-8, the higher the value, the faster.
	MODE2 SETUP RUN BRT:8	Running brightness, value 1-8, the higher the value, the brighter.
41-44	DIY1 STEP1 T:001 R255G255B255	Setting the step parameter of DIY mode, T is duration time, R for red value, G for green value, B for blue value
	DIY1 SETUP CHANGE KIND:FADE	Setting the changing types of DIY mode, FADE or JUMP.
45-48	MODE45 GROUP1 M:10 S:4 B:8 T:1	Setting the sub mode parameter of group mode. M for sub mode sequence, S for speed, B for brightness, T for running times.

5

49	TIMER SETUP TIMER1:OFF	Timing setting: Select OFF, PER DAY, PER DATE, SPE DATE.
	SMTWTFSS 00:00-00:00 M:01	When set the timing as per day, the letters 'SMTWTFSS' of the first line, represent from Sunday to Saturday. The displayed letter means selected, '-' means unselected. The parameters of the second line is start time and end time. 'M' represents the running mode sequence number when timing started, value 1-48.
	DATE:01-31 00:00-00:00 M:01	When set the timing as per date, the parameter of the first line is start date and end date. The parameters of the second line is start time and end time. 'M' represents the running mode sequence number when timing started, value 1-48.
	DATE:01/01-12/31 00:00-00:00 M:0	When set the timing as specified date, the parameter of the first line is start date and end date. The parameters of the second line is start time and end time. 'M' represents the running mode sequence number when timing started, value 1-48.
50	MODE50 SETUP DMX ADDRESS:001	Setting the DMX address of decode mode.
	SYSTEM TIME 01/01/2016 10:10	System time setting.
	SYSTEM SETUP CONTROLLER:RGB	Setting the controller type: RGB or RGBW. When set as RGB controller, the fourth channel is null.
	SYSTEM SETUP LOAD DEFAULT	Load default setting

## 4. Wireless remote control button instructions

	ON/OFF		MODE+		SPEED+		BRT+
	PAUSE		MODE-		SPEED-		BRT-

Wireless remote control only support the switch of the first 48 modes,when set the49th timer mode or the 50th decode mode on the controller, no need remote control.

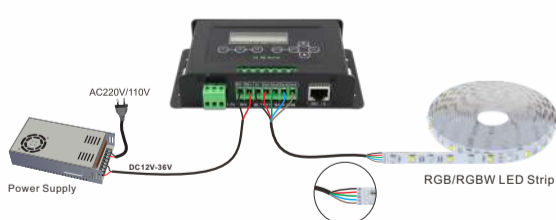
## The learning ID Method of Remote Control

Hold the "UP" and "DOWN" keys at the same time, and press any key on the remote control, when the LCD displays "SAVE ID SUCCESS", it indicates that ID setting success.

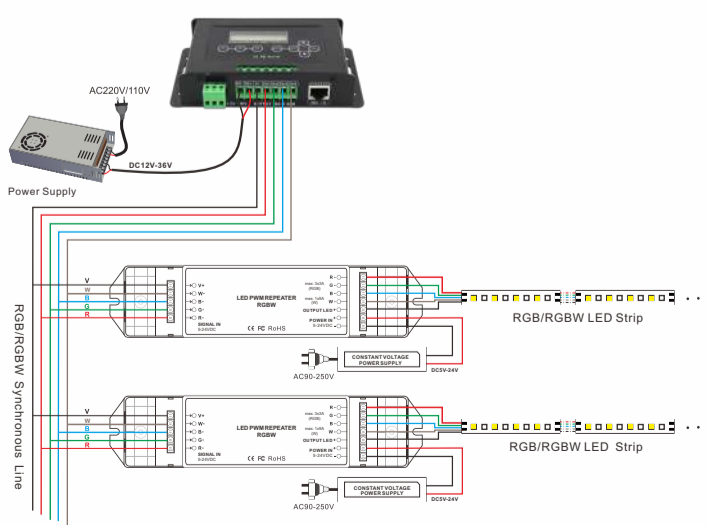
6

## 5. Conjunction Diagram

1)LED controller Conjunction Diagram:



2) LED Controller Connects to Repeater (If power is enough, the controller and the repeater can share the same power supply):



7

## 8. After-Sales

From the day you purchase our products within 3 years, if being used properly in accordance with the instruction, and quality problems occur, we provide free repair or replacement services except the following cases:

- Any defects caused by wrong operations.
- Any damages caused by inappropriate power supply or abnormal voltage.
- Any damages caused by unauthorized removal, maintenance, modifying circuit, incorrect connections and replacing chips.
- Any damages due to transportation, breaking, flooded water after the purchase.
- Any damages caused by earthquake, fire, flood, lightning strike etc. force majeure of natural disasters.
- Any damages caused by negligence, inappropriate storing at high temperature and humidity environment or near harmful chemicals.

8